

BI-DIRECTIONNAL SOUND PROJECTOR

DO3-51-3005-PA12B-V210503

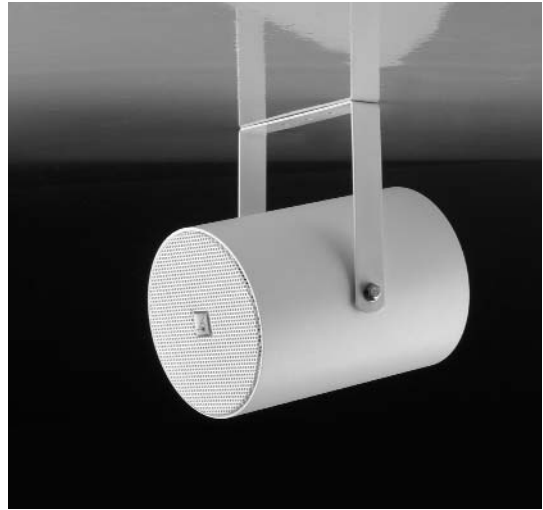
Page 1/1

PA12B
Code 3005

SPECIFICATIONS SUBJECT TO MODIFICATIONS

DESCRIPTION

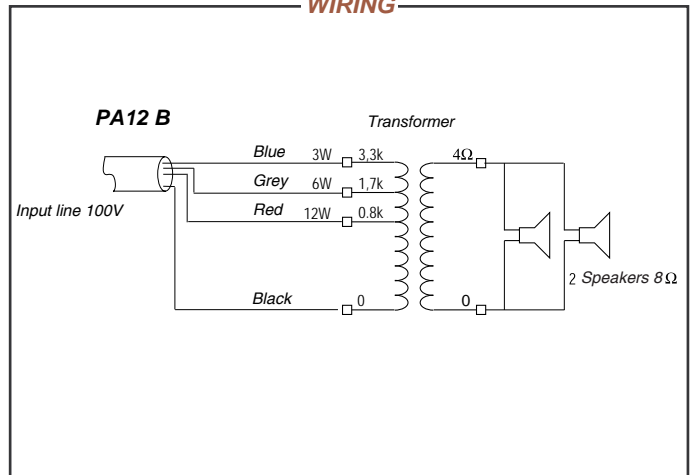
- Extruded cylindrical white painted aluminium.
- Dual cones wide band silicon treated speaker.
- Impregnated low insertion loss multi-taps transformer.
- Three models:
- Bi-directional speaker.
- Ideal for music, speech and Emergency messages.
- Suitable either for Indoor or Outdoor use.



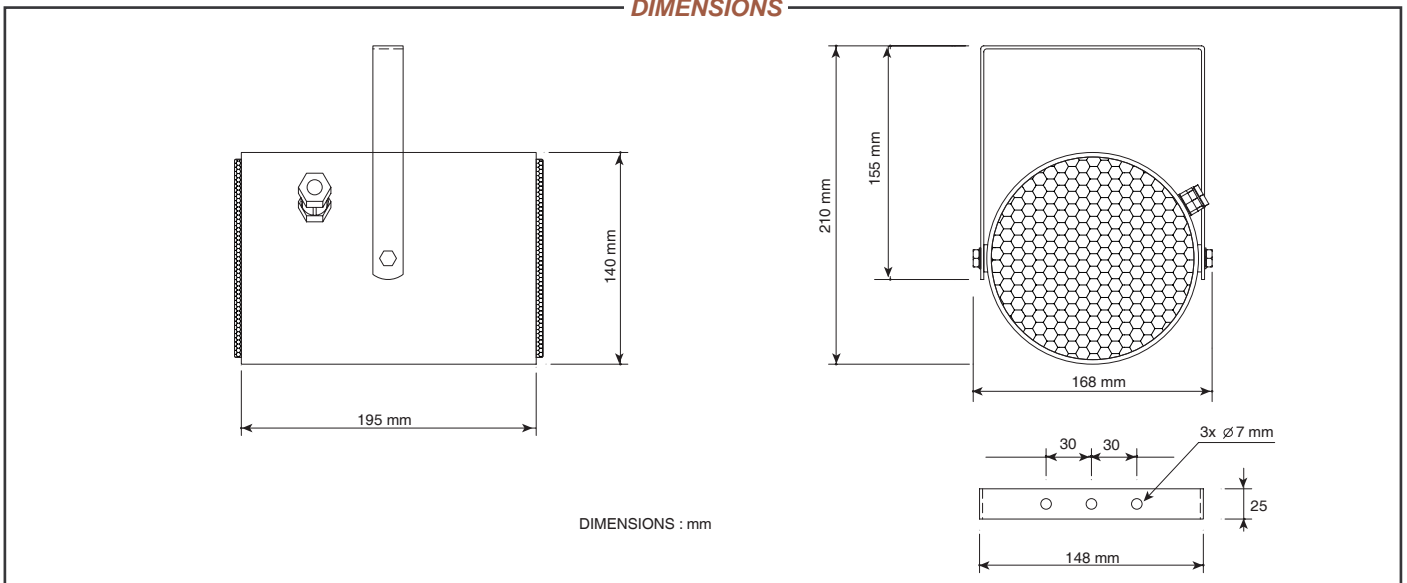
TECHNICAL SPECIFICATIONS

Nominal Power (100V)	Watts	12
Maximum Power	Watts	20
Frequency response	Hertz	100-18000
SPL (max) 1W@1m	dB	90-(98)
Connection	4 Wires cable	
Power selector (100V)	Watts	12/6/3
Impédances	Ohms	0,8/1,7/3,3K
Pack dimensions : WxHxD	mm	160x250x155
Pack Weight	Kg	2,6

WIRING



DIMENSIONS



MERLAUD

9 rue de La Briqueterie - P.A.E. des FAUVETTES - 95330 DOMONT (FRANCE)
Tel. 01 39 91 77 78 - Fax 01 39 91 90 66 - www.merlaud.com - merlaud@merlaud.com