

# HALF - SPHERICAL SPEAKER

DO3-51-3038-PEP6T-V200203

Page 1/1

**PEP6T**

**Code 3038**

## DESCRIPTION

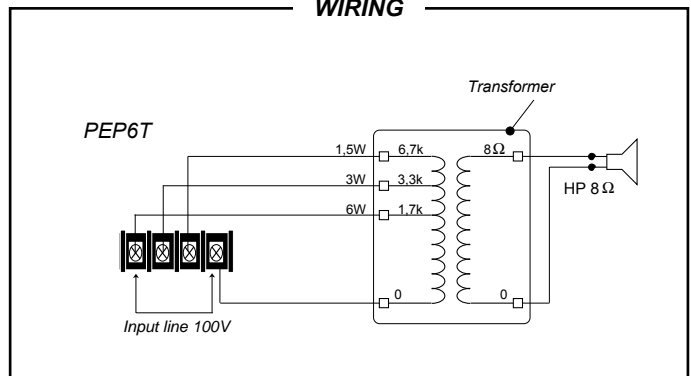
- Wall and ceiling surface mounting speaker.
- Dual cones wide band silicon treated speaker.
- Impregnated low insertion loss multi-taps transformer.
- Moulded white colour ABS. Other colours on request.



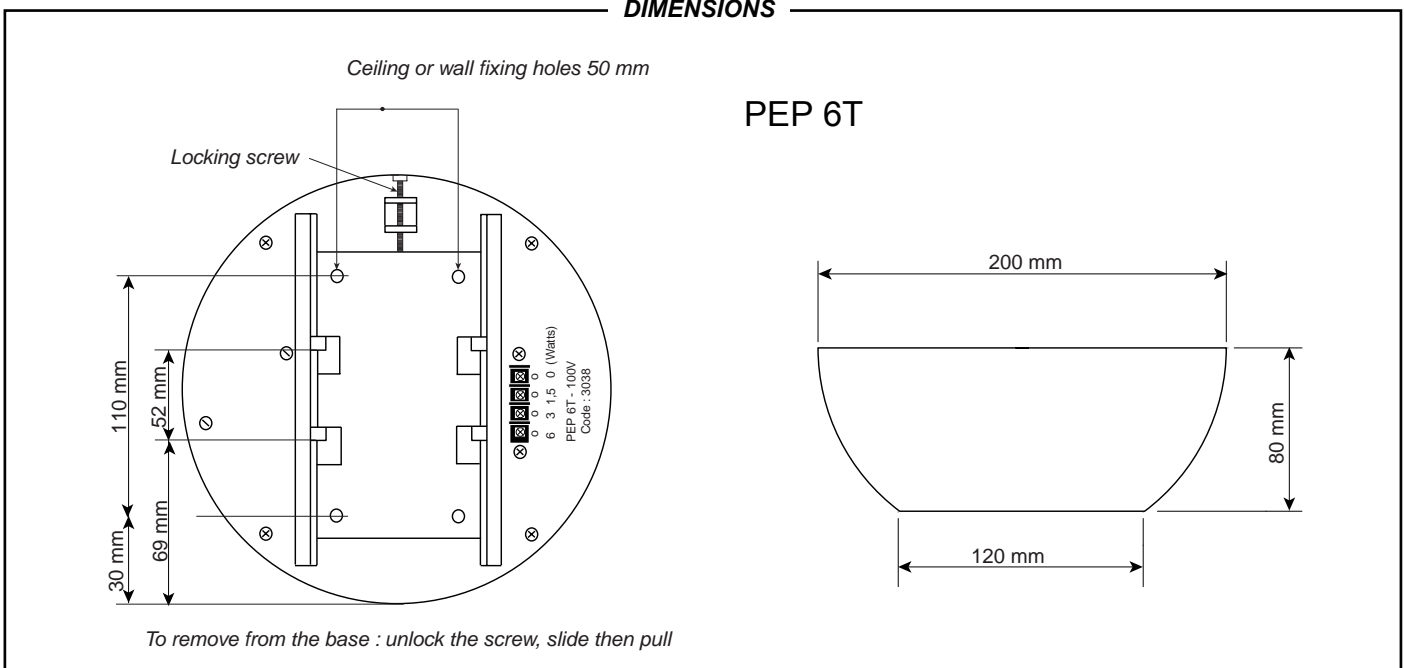
## TECHNICAL SPECIFICATIONS

Nominal Power (100V)	Watts	6
Maximum Power	Watts	10
Frequency response	Hertz	100-18000
SPL (max) 1W@1m	dB	90-(98)
Connection	Terminal	
Power selector (100V)	Watts	6/3/1,5
Impédances	Ohms	1,7/3,3/6,7K
Pack dimensions : WxHxD	mm	210x90x210
Pack Weight	Kg	1,6

## WIRING



## DIMENSIONS



SPECIFICATIONS SUBJECT TO MODIFICATIONS



**MERLAUD**

9 rue de La Briqueterie - P.A.E. des FAUVETTES - 95334 DOMONT CEDEX (FRANCE)  
 Tel. 01 39 91 77 78 - Fax 01 39 91 90 66 - [www.merlaud.com](http://www.merlaud.com) - [merlaud@merlaud.com](mailto:merlaud@merlaud.com)