

2-WAY COAXIAL CEILING SPEAKER

SPECIFICATIONS SUBJECT TO MODIFICATIONS

DESCRIPTION

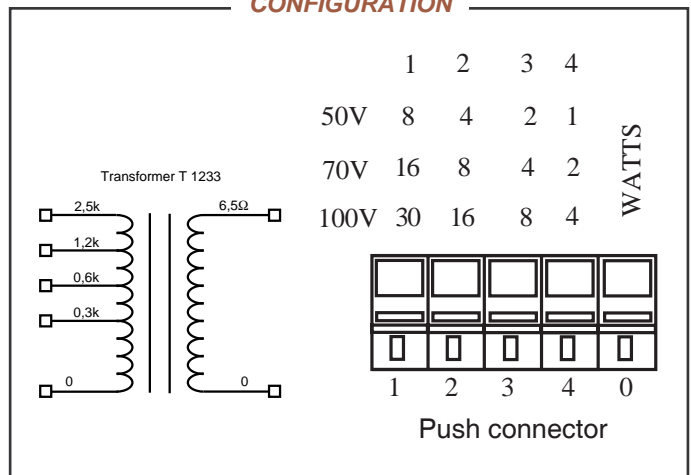
- Multipurpose, high quality, high power capability ceiling speakers.
- Suitable either for hi-fi music or speech and Emergency messages.
- Two-way full range coaxial speaker.
- Ideal for high ceiling applications : Ballrooms, auditorium and meeting rooms
- Impregnated low insertion loss multi-taps transformer.
- White RAL 9010 epoxy coated all aluminium grill and chassis.
- Tool free easy spring ceiling mounting.
- Aluminium fire dome (Optional).
- Ceramic fireproof connector (Optional)



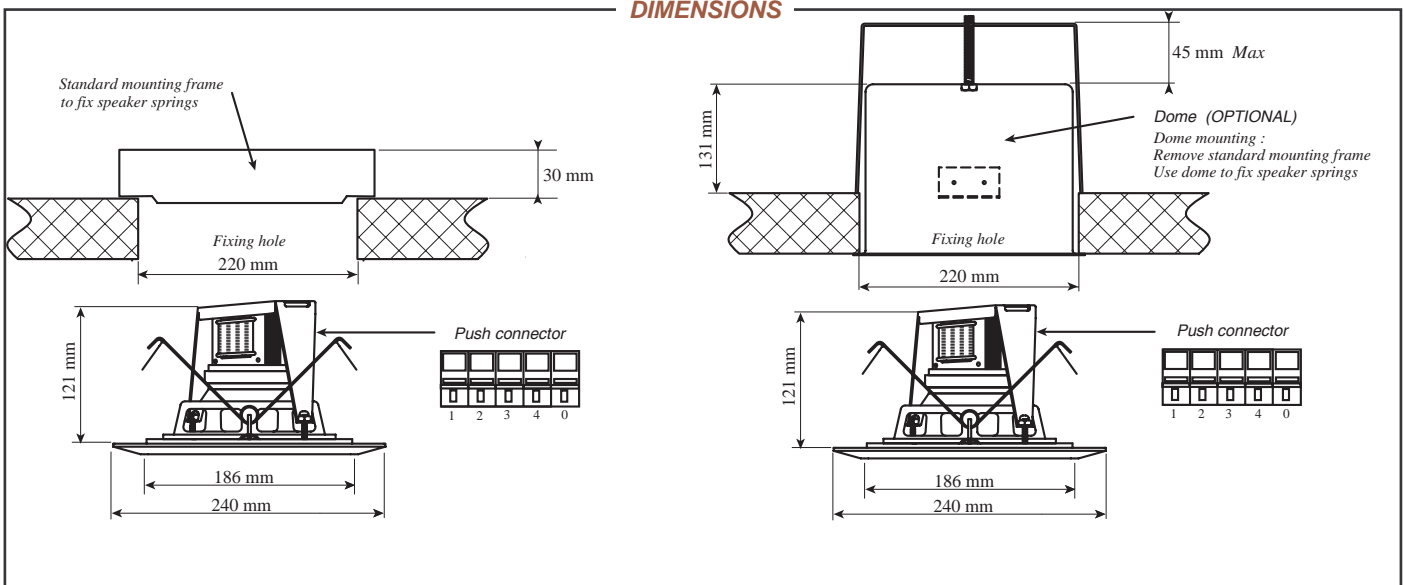
TECHNICAL SPECIFICATIONS

Nominal Power (100V)	Watts	30
Maximum Power	Watts	60
Frequency response	Hertz	70-20000
SPL (max) 1W@1m	dB	94-(104)
Connection	Terminals	
Power tap (100V)	Watts	30/16/8/4
Impédances	Ohms	0,3/0,6/1,2/2,5K
Pack dimensions : WxHxD	mm	260x160x260
Pack Weight	Kg	2

CONFIGURATION



DIMENSIONS



MERLAUD

9 rue de La Briqueterie - P.A.E. des FAUVETTES - 95330 DOMONT (FRANCE)
 Tel. 01 39 91 77 78 - Fax 01 39 91 90 66 - www.merlaud.com - merlaud@merlaud.com